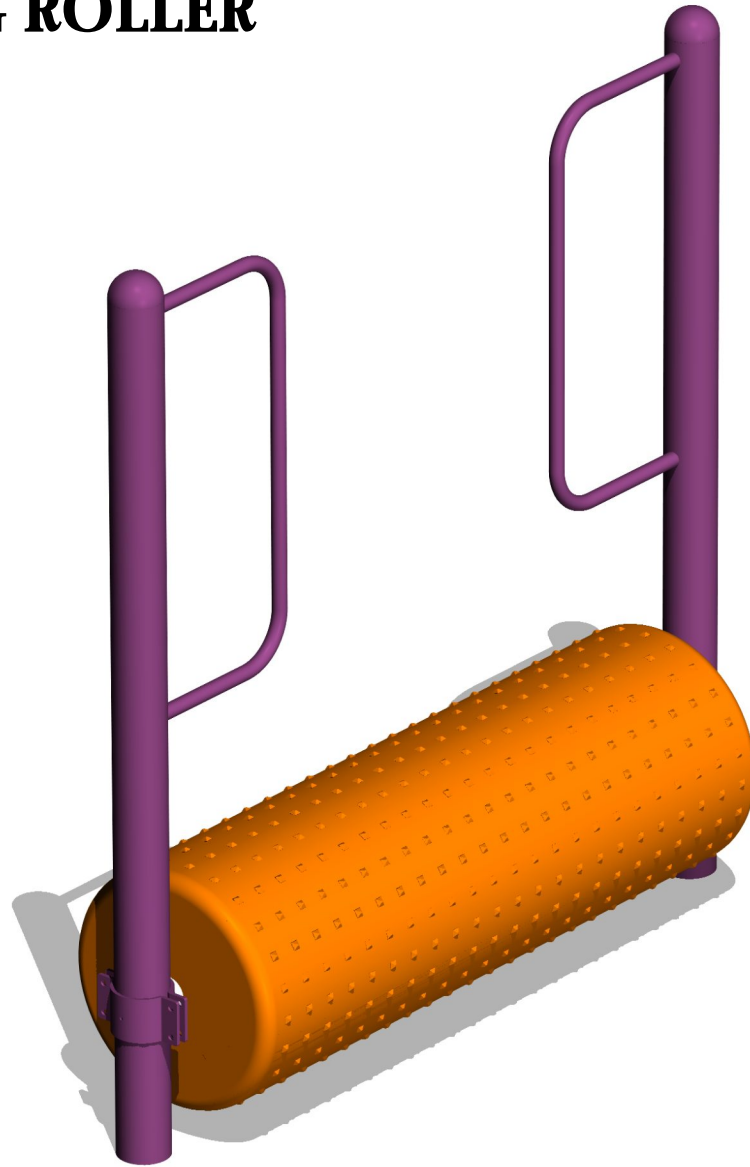




LOG ROLLER

GO-ÉLAN
Creating new ways to play



GO-HOP SERIES

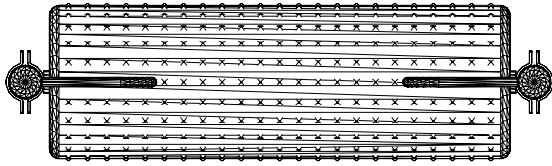
5 to 12 years

RXL-28-10-09

ALUMINUM AND STEEL

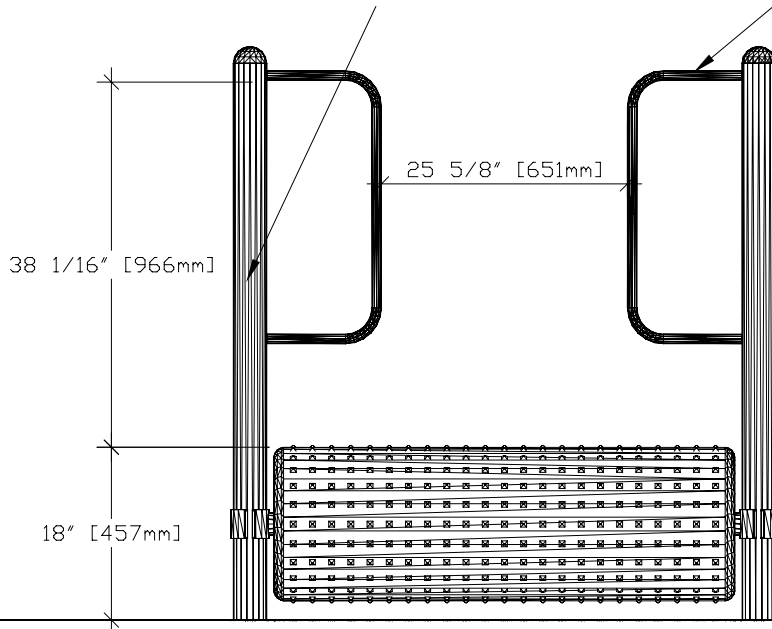
ROTOMOLDED POLYETHYLENE



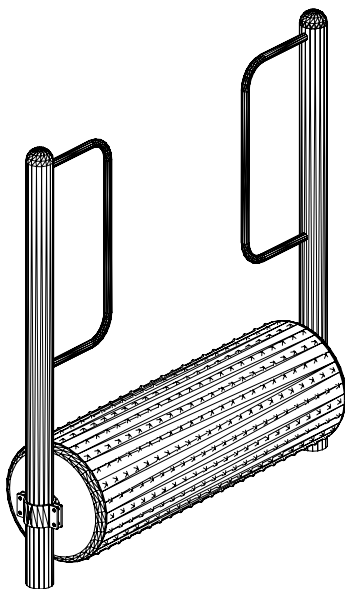



1" (25mm) Ø GALVANIZED STEEL TUBE
POLYESTER POWDER COATING

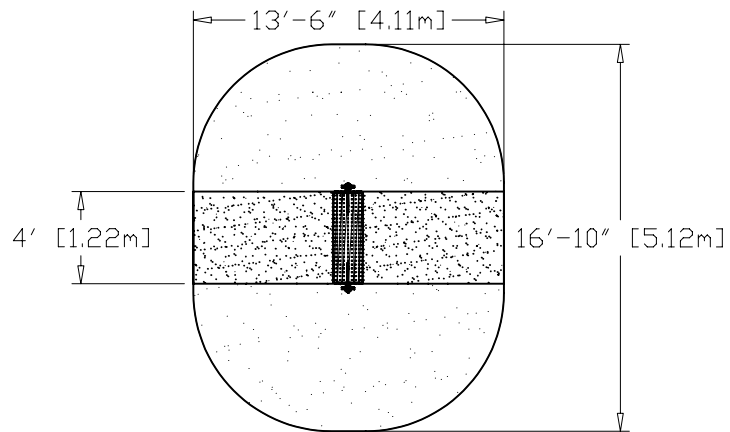
3 1/2" (89mm) Ø GALVANIZED STEEL PIPE
POLYESTER POWDER COATING

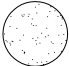
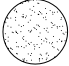



LOG ROLL : POLYETHYLENE UV TREATED



drawing number		
RM-28-10-(B36)		
drawing name		
LOG ROLLER		
MULTIPLE VIEWS		
date	scale	drawn by
05/04/05	NONE	D. Désilets ing.
ck. by		 <small>630, boul. Bécancour Bécancour (Québec) Canada G9H 3S7 phone: 819.298.3431 fax: 819.298.2299 www.goelan.com</small>
APPEARANCE MAY VARY LIGHTLY FROM DRAWING		



-  MINIMUM PROTECTIVE SURFACE
-  EXCLUSIVE AREA

drawing number		
RM-28-10-(B36)		
drawing name		
LOG ROLLER		
PLAY AREA		
date	scale	drawn by
11/09/14	1=100	D. Désilets ing.
ck. by		 <small>630, boul. Bécancour Bécancour (Québec) Canada G9H 3S7 tél: 819.298.3431 téléc.: 819.298.2299</small>
APPEARANCE MAY VARY LIGHTLY FROM DRAWING		