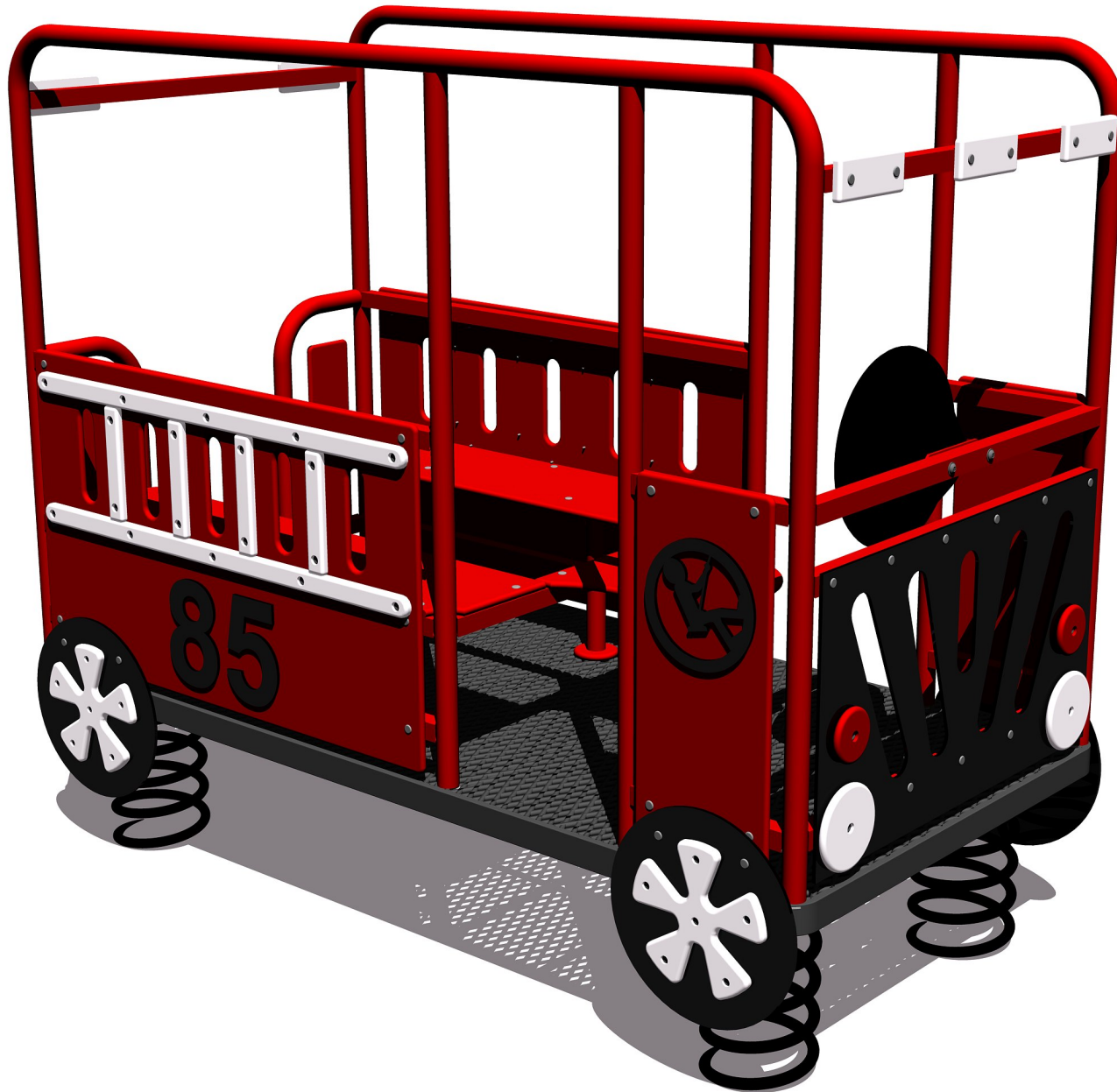


VOLUNTEERS

GO-ÉLAN
Creating new ways to play



TURBULENCES SERIES 1 1/2 to 12 years

K-39

COMPLIANCE WITH
SAFETY STANDARDS
CAN/CSA-Z264-07

allied
TUBE & CONDUIT

VOLUNTEERS

GO-ÉLAN
Creating new ways to play

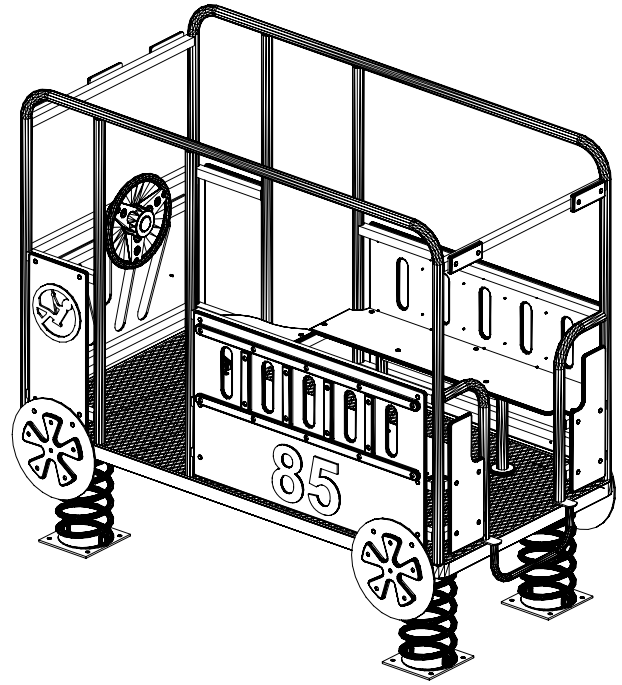
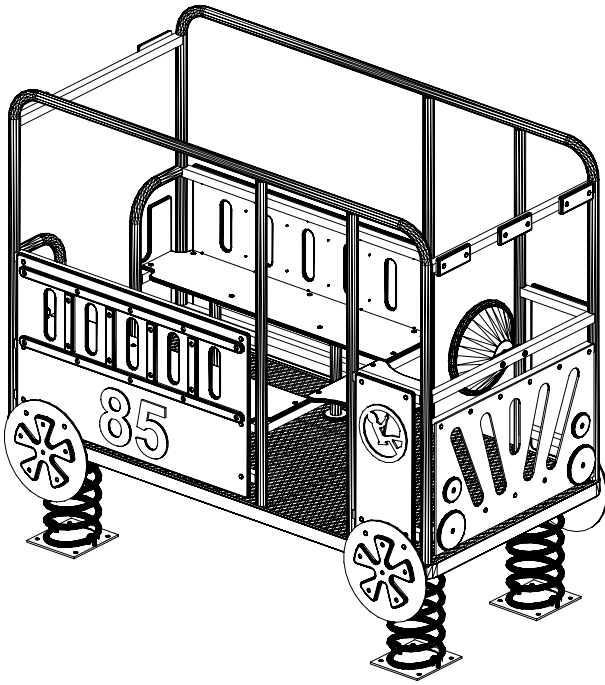


TURBULENCES SERIES 1 1/2 to 12 years

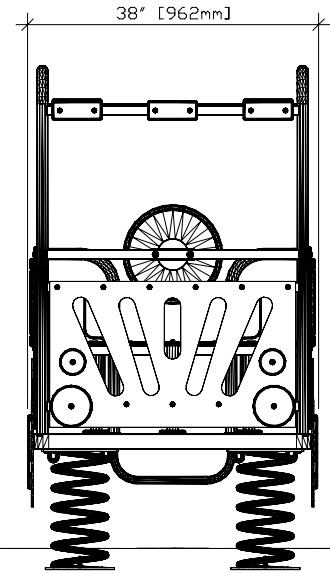
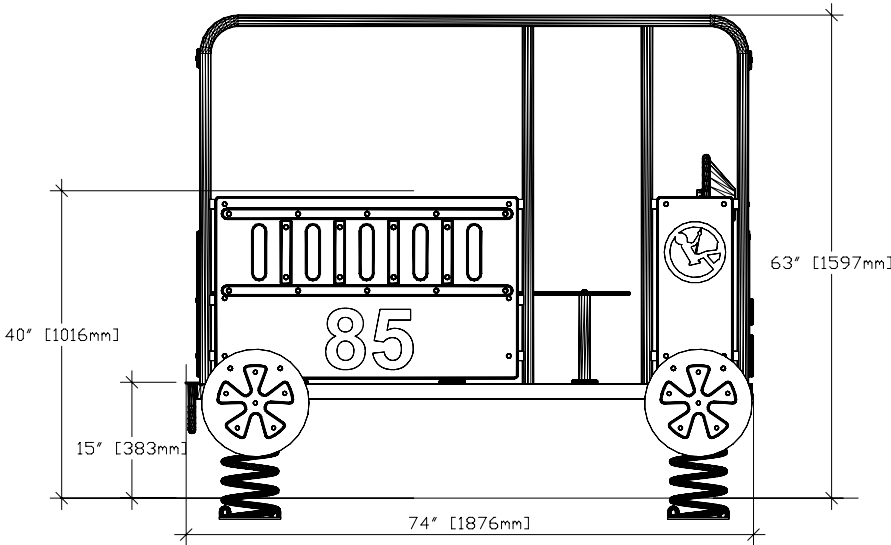
COMPLIANCE WITH
SAFETY STANDARDS
CAN/CSA-Z264-07

allied
TUBE & CONDUIT

K-39



GALVANISED STEEL TUBE 1 1/2" [38mm]Ø
 POLYESTER POWDER COATING RED
 POLYETHYLENE 1/2" [13mm] TH. UV TEATED
 ROTOMOLD POLYETHYLENE STEERING WHEEL



PLASTYGO COATED REENFORCED EXPANDED STEEL DECK
 4 STEEL SPRING 3/4" [19mm]Ø, SAFE FOR HANDS AND FEET

CHILD CAPACITY : 7
 EQUIPMENT SIZE : 7' X 4' [2,2m X 1,2m]
 PLAY AREA : 21' X 18' [6,4m X 5,5m]
 FALL HEIGHT : 40" [102cm]

drawing number

K-39

drawing name

VOLUNTEER

MULTIPLE VIEWS

date

12/01/18

scale

NONE

drawn by

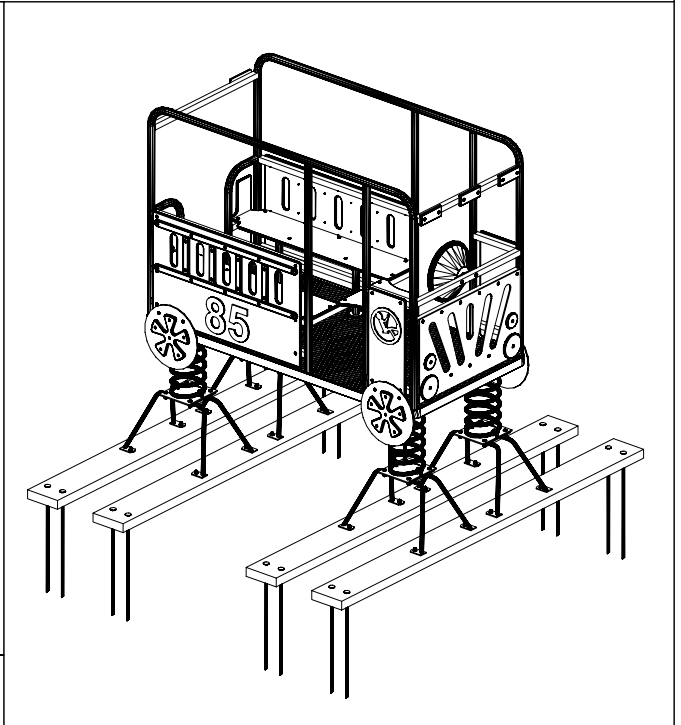
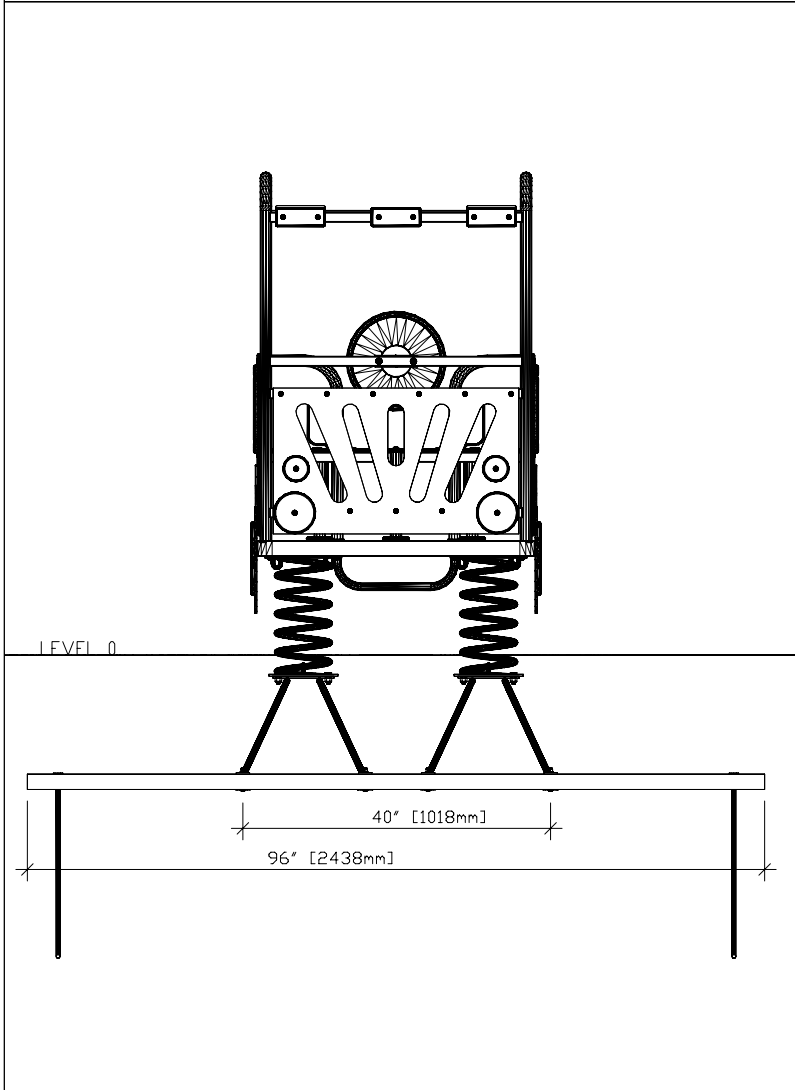
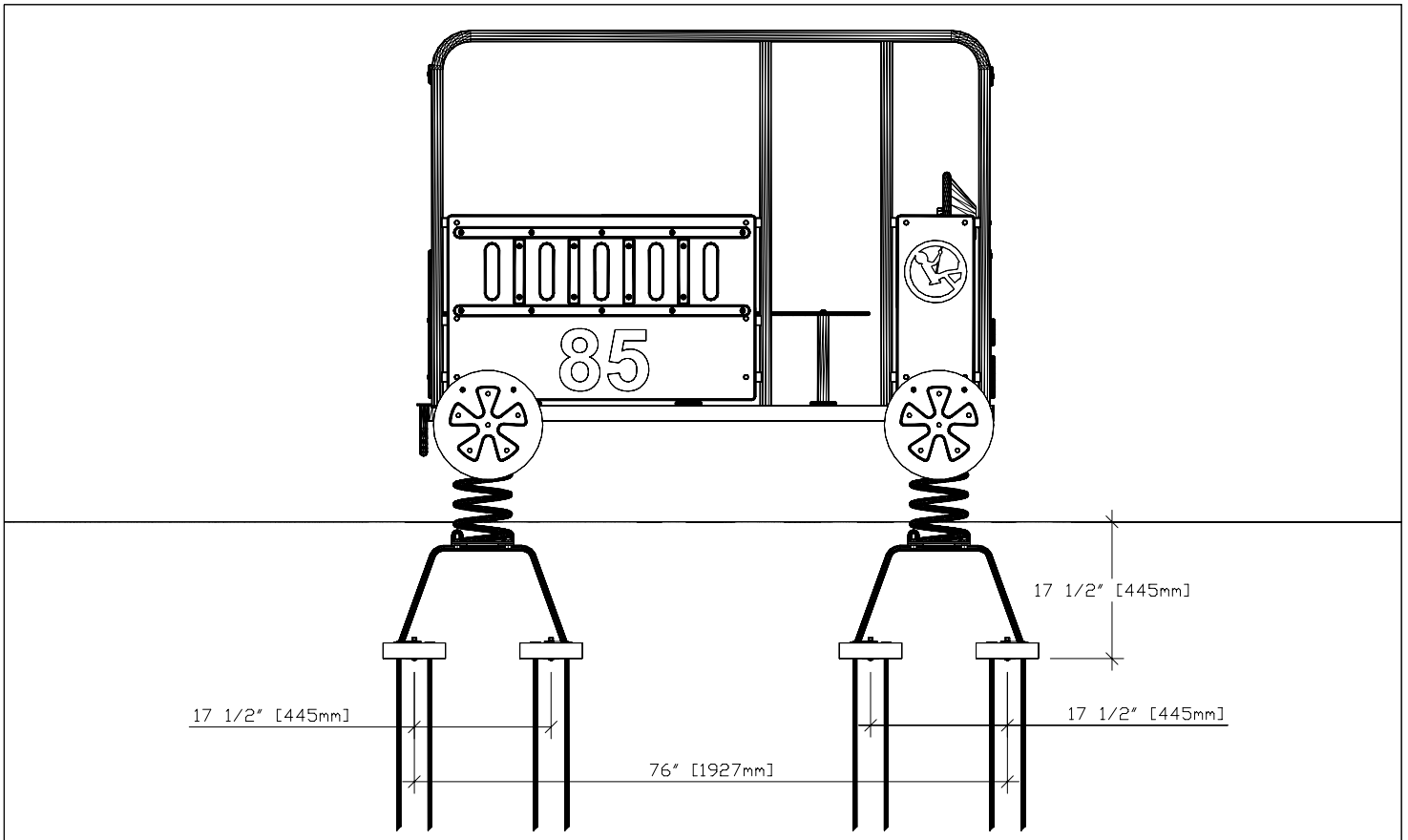
D. Désilets ing.


ck. by

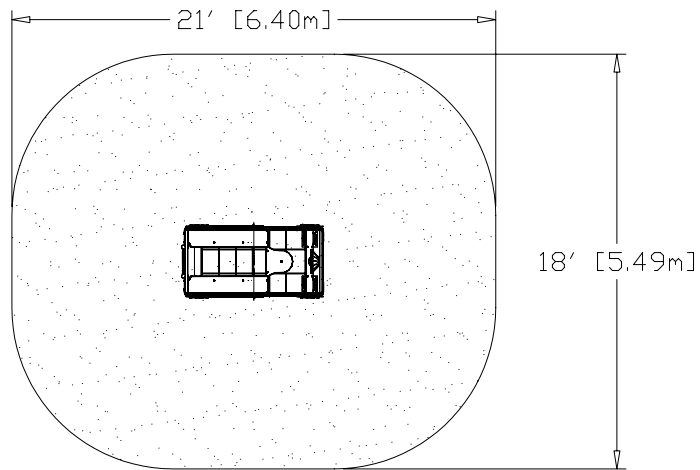
APPEARANCE MAY VARY
 LIGHTLY FROM DRAWING

GO-ÉLAN


630, boul. Béancour
 Béancour (Québec) Canada G9H 3S7
 tél.: 819.298.3431 téléc.: 819.298.2299



drawing number		
K-39		
drawing name		
VOLUNTEER		
INSTALLATION		
date	scale	drawn by
12/01/18	NONE	D. Désilets ing.
ck. by		
APPEARANCE MAY VARY LIGHTLY FROM DRAWING		 630, boul. Bécancour Bécancour (Québec) Canada G9H 3S7 tél.: 819.298.3431 téléc.: 819.298.2299



 MINIMUM PROTECTIVE SURFACE

drawing number		
K-39		
drawing name		
VOLUNTEER		
PLAY AREA		
date	scale	drawn by
12/02/13	1=100	D. Désilets ing.
ck. by		 <small>630, boul. Bécancour Bécancour (Québec) Canada G9H 3S7 tél.: 819.298.3431 téléc.: 819.298.2299</small>
APPEARANCE MAY VARY LIGHTLY FROM DRAWING		